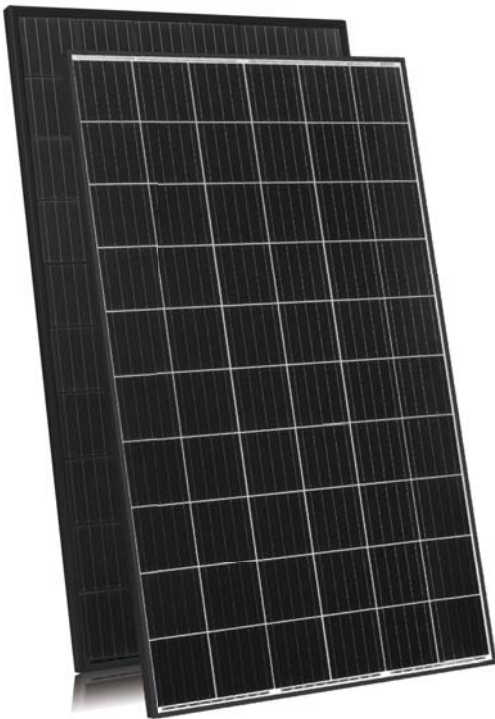
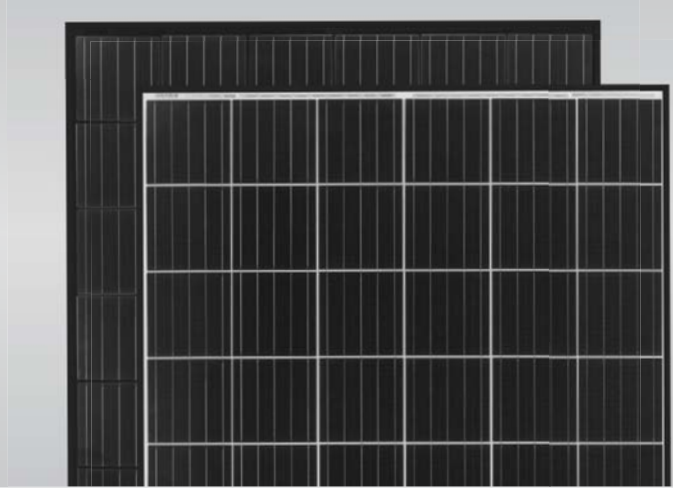


# Eagle 60M G2

## 315-335 Watt

### MONO PERC MODULE

Positive power tolerance of 0~+3%



## KEY FEATURES



### Diamond Cell Technology

Uniquely designed high performance 5 busbar mono PERC cell



### PID FREE

Reinforced cell prevents potential induced degradation



### Better Low-Light Performance

Excellent performance in low-light environments



### Strength and Durability

Certified for high snow (5400Pa) and wind (2400 Pa) loads



### Weather Resistance

Certified for salt mist and ammonia resistance

- ISO9001:2008 Quality Standards
- ISO14001:2004 Environmental Standards
- OHSAS18001 Occupational Health & Safety Standards
- IEC61215, IEC61730 certified products
- UL1703 certified products

Nomenclature:

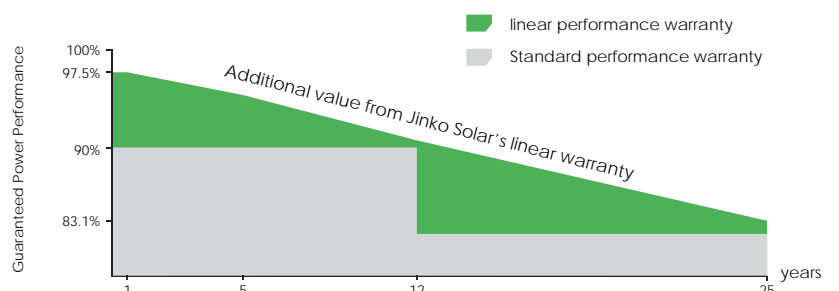
**JKM335M - 60BL**

Code	Backsheet	Code	Cell
null	White	null	Normal
B	Black	L	Diamond

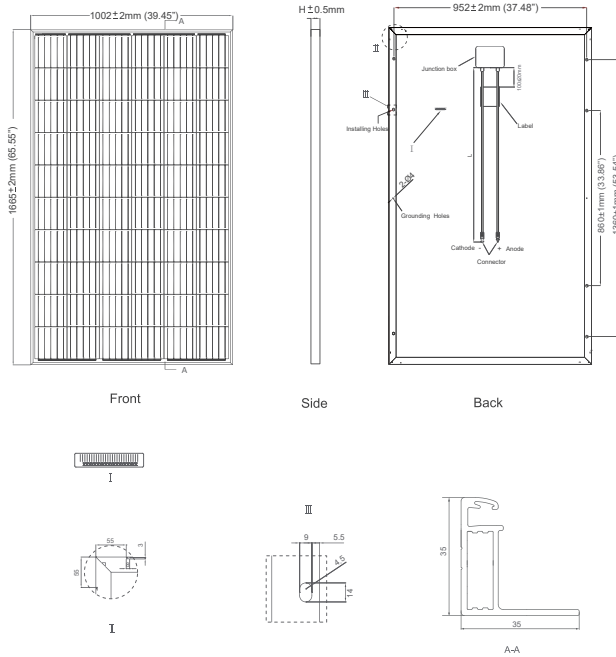


## LINEAR PERFORMANCE WARRANTY

12 Year Product Warranty • 25 Year Linear Power Warranty



## Engineering Drawings

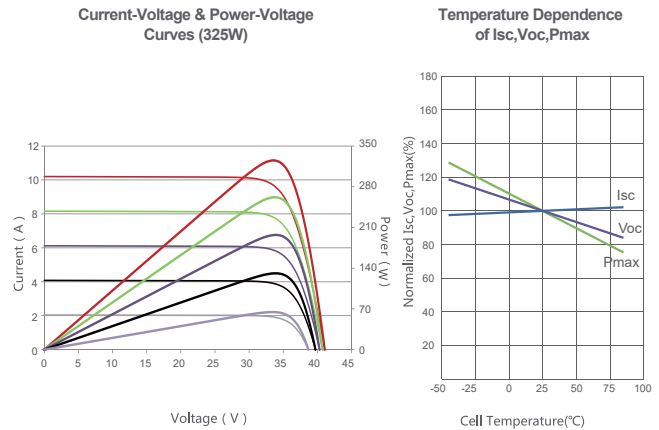


## Packaging Configuration

( Two pallets = One stack )

31pcs/pallet , 62pcs/stack, 868pcs/40'HQ Container

## Electrical Performance & Temperature Dependence



## Mechanical Characteristics

Cell Type	Mono PERC Diamond Cell (158.75 x 158.75 mm)
No. of cells	60 (6×10)
Dimensions	1665×1002×35mm (65.55×39.45×1.38 inch)
Weight	19.0 kg (41.9 lbs)
Front Glass	3.2mm, Anti-Reflection Coating, High Transmission, Low Iron, Tempered Glass
Frame	Anodized Aluminium Alloy
Junction Box	IP67 Rated
Output Cables	12 AWG, Length 1000mm (39.37 in) or Customized Length
Fire Type	Type 1

## SPECIFICATIONS

Module Type	JKM315M-60L		JKM320M-60L		JKM325M-60L		JKM330M-60L		JKM335M-60L	
	STC	NOCT	STC	NOCT	STC	NOCT	STC	NOCT	STC	NOCT
Maximum Power (Pmax)	315Wp	235Wp	320Wp	239Wp	325Wp	242Wp	330Wp	246Wp	335Wp	250Wp
Maximum Power Voltage (Vmp)	33.2V	31.2V	33.4V	31.4V	33.6V	31.6V	33.8V	31.8V	34.0V	32.0V
Maximum Power Current (Imp)	9.49A	7.56A	9.59A	7.62A	9.68A	7.66A	9.77A	7.74A	9.87A	7.82A
Open-circuit Voltage (Voc)	40.7V	37.6V	40.9V	37.8V	41.1V	38.0V	41.3V	38.2V	41.5V	38.4V
Short-circuit Current (Isc)	10.04A	8.33A	10.15A	8.44A	10.20A	8.54A	10.31A	8.65A	10.36A	8.74A
Module Efficiency STC (%)	18.88%		19.18%		19.48%		19.78%		20.08%	
Operating Temperature (°C)	-40°C~+85°C									
Maximum System Voltage	1000VDC(UL)/1000VDC(IEC)									
Maximum Series Fuse Rating	20A									
Power Tolerance	0~+3%									
Temperature Coefficients of Pmax	-0.37%/°C									
Temperature Coefficients of Voc	-0.28%/°C									
Temperature Coefficients of Isc	0.048%/°C									
Nominal Operating Cell Temperature (NOCT)	45±2°C									

STC: Irradiance 1000W/m<sup>2</sup> Cell Temperature 25°C AM=1.5

NOCT: Irradiance 800W/m<sup>2</sup> Ambient Temperature 20°C AM=1.5 Wind Speed 1m/s

\* Power measurement tolerance: ± 3%

CAUTION: READ SAFETY AND INSTALLATION INSTRUCTIONS BEFORE USING THE PRODUCT.

© Jinko Solar Co., Ltd. All rights reserved. Specifications included in this datasheet are subject to change without notice.  
JKM315-335M-60L-A2-US